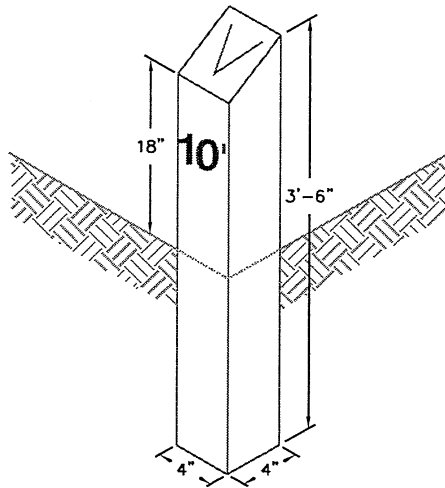


VALVE OPERATING NUT EXTENSION

EXTENSIONS ARE REQUIRED WHEN THE VALVE NUT IS MORE THAN THREE (3) FEET BELOW FINISHED GRADE. EXTENSIONS ARE TO BE A MINIMUM OF ONE (1) FOOT LONG, ONLY ONE EXTENSION PER VALVE. ALL EXTENSIONS ARE TO MADE OF STEEL SIZED AS NOTED, AND PAINTED WITH TWO COATS OF CARBON ELASTIC (ATCO NO. 2221) AS SPECIFIED BY PRESERVATIVE PAINT CO. OR APPROVED EQUAL.



VALVE MARKER POST

VALVE MARKER POST SHALL BE A RENTON CONCRETE PRODUCTS NO. VM-1 OR APPROVED EQUAL. VALVE MARKER SHALL BE PAINTED WITH TWO COATS OF ICI DEVOC 4308-1000 WHITE. THE POST SHALL BE SITUATED IN A SAFE AND REASONABLY CONSPICUOUS LOCATION AT A RIGHT ANGLE TO THE ROADWAY FROM THE VALVE. DISTANCE TO THE VALVE SHALL BE NEATLY STENCILED ON THE POST WITH TWO-INCH NUMBERS WITH NO. 43-102 (BLACK) PAINT AS SPECIFIED BY PRESERVATIVE PAINT CO. OR APPROVED EQUAL.

VALVE MARKERS ARE NOT REQUIRED WHEN VALVES ARE LOCATED WITHIN PAVED SURFACES.

GENERAL MISCELLANEOUS DETAILS

WATER STANDARD DETAIL

**SNOQUALMIE PASS
UTILITY DISTRICT**

FILE	SCALE	DATE
SPUDTW12	NTS	7/22/04