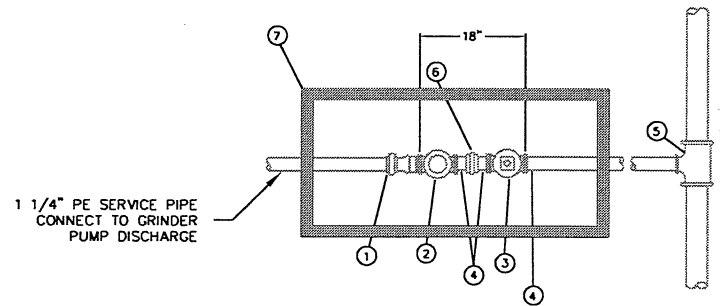


**GRINDER PUMP INSTALLATION NOTES:**

1. PACKAGED GRINDER LIFT STATION SHALL BE ENVIRONMENT ONE MODEL 2010 AS SUPPLIED BY GRANICH ENGINEERING, 127 TENTH STREET SOUTH, KIRKLAND, WA 98033. CONTACT HOWARD TAUB AT (425) 889-8744.
2. PACKAGED STATION TO INCLUDE THE FOLLOWING:
  - A) SEWAGE GRINDER PUMP, SEMI-POSITIVE DISPLACEMENT TYPE, ENVIRONMENT ONE PROGRESSING CAVITY WITH A 1 HP, 1800 RPM MOTOR.
  - B) CORRUGATED HDPE TANK WITH SINGLE POSITION INSTALLATION. THE 2010 IS PACKAGED IN A SINGLE COMPLETE UNIT, READY FOR INSTALLATION. TANK WILL HAVE A 1-1/4 NPT DISCHARGE CONNECTION AND A 4 INCH INLET GROMMET FOR DWV PIPE.
  - C) INTERNAL CHECK VALVE ASSEMBLY.
  - D) BREAKER PANEL SHALL INCLUDE TWO 15 AMP BREAKERS FOR THE PUMP SYSTEM AND ONE 15 AMP BREAKER FOR THE ALARM, PANEL FEATURES ARE PUSH TO RUN, AUDIBLE ALARM WITH SILENCE BUTTON, AND RED LIGHT ALARM. ALL WIRES AND CONNECTORS ARE COLOR CODED FOR EASE OF INSTALLATION.
  - E) 25 FEET OF DIRECT BURY CABLE. (SUPPLY CABLE)
3. ELECTRICAL SERVICE REQUIREMENTS: 240 VOLTS SINGLE PHASE POWER WITH TWO POLE 30 AMP BREAKER.
4. CONTROL PANEL SHALL BE ATTACHED TO THE OWNER'S HOUSE OR WITH THE DISTRICTS APPROVAL, ATTACHED TO A 4" x 4" PRESSURE TREATED POST SET 3' INTO CONCRETE.
5. SEE TYPICAL CIRCUIT DIAGRAM FOR WIRING BETWEEN THE OWNER'S DISTRIBUTION PANEL AND THE BREAKER PANEL.

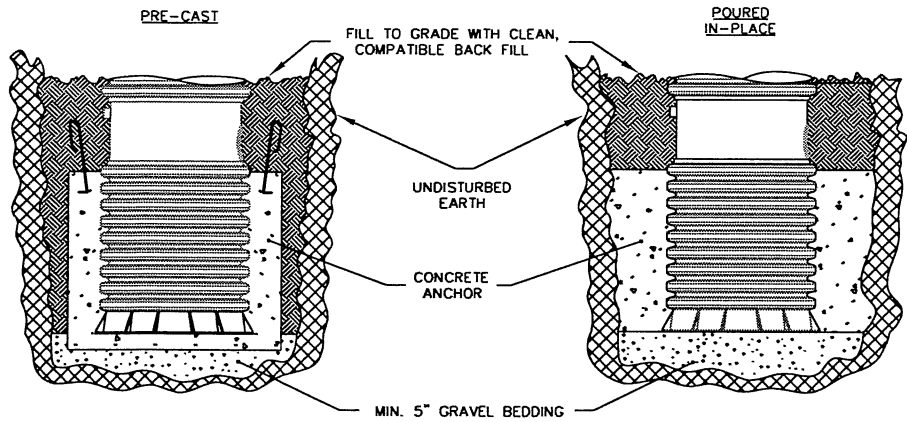
**GRAVITY SIDE SEWER NOTES:**

- 1) 2% MINIMUM GRAVITY SIDE SEWER INSTALLATION AS PER DISTRICT STANDARDS.
- 2) CLEANOUT 3' MAX FROM BUILDING.
- 3) CLEANOUT SHALL BE FLUSH WITH FINISHED GRADE OR BURIED 6" BELOW EXISTING GRADE, IF NOT IN PAVEMENT.
- 4) MUST MEET ALL DISTRICT, COUNTY, AND STATE REGULATIONS.



**PRESSURE SEWER SERVICE CONNECTION**

- MATERIALS LIST**
- ① 1 1/4" MIPT x PVC JOINT COUPLING
  - ② 1 1/4" BALL CHECK VALVE (SCREW)
  - ③ 1 1/4" TRUE UNION BALL VALVE (SCREW) HAYWARD OR EQUAL
  - ④ 1 1/4" PVC NIPPLES (SEA)
  - ⑤ 2 x 1 1/4" PVC TEE
  - ⑥ 1 1/4" PVC COUPLING
  - ⑦ FOG TITE NO. 2 METER BOX OR EQUAL



**GRINDER PUMP LIFT STATION AND STORAGE TANK**

**SEWER STANDARD DETAIL**

**SNOQUALMIE PASS  
UTILITY DISTRICT**

FILE	SCALE	DATE
SPUDTS7	NTS	7/22/04