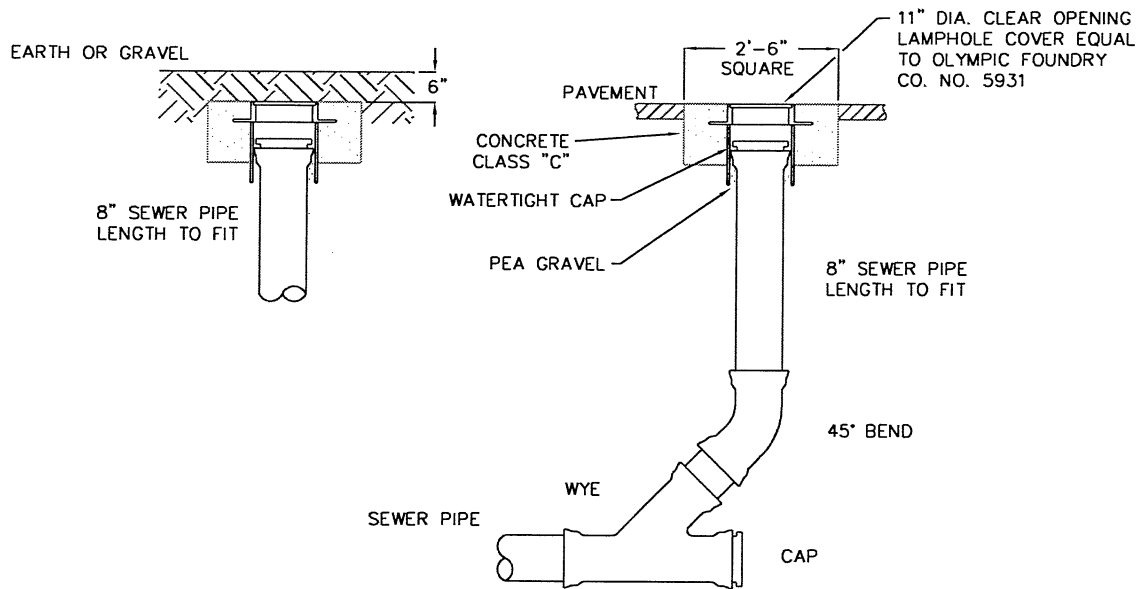


DROP STRUCTURE



CLEANOUT

SEWER STANDARD DETAIL

SNOQUALMIE PASS UTILITY DISTRICT

FILE	SCALE	DATE
SPUDTS2	NTS	7/22/04