

## INSTALLATION

THE PRESSURE REDUCING VALVE SHALL BE LOCATED ON THE CUSTOMER'S PROPERTY "DOWNSTREAM" OF THE METER BOX. RESPONSIBILITY FOR PROPER INSTALLATION, OPERATION, AND MAINTENANCE OF THE VALVE SHALL BE ASSUMED BY THE CUSTOMER. THREE POSSIBLE CONFIGURATIONS FOR INSTALLATION OF THE VALVE ARE SHOWN BELOW.

## MATERIALS



3/4" PRESSURE REDUCING VALVE.  
WILKINS REGULATOR MODEL #600.



3/4" ADAPTER. ONE END FOR  
THREADED BRASS, OTHER END AS  
NECESSARY FOR SERVICE CONNECTION.



3/4" BRASS NIPPLE, APPROX.  
4" LONG. IPT BOTH ENDS.

## FUNCTION

THE FUNCTION OF A PRESSURE REDUCING VALVE IS TO REDUCE HIGH-WATER PRESSURES IN THE SERVICE CONNECTION TO AN ACCEPTABLE RANGE OF 25 TO 75 PSI. INSTALLATION OF A PRESSURE REDUCING VALVE IS REQUIRED WHERE THE SERVICE CONNECTION PRESSURE EXCEEDS 80 PSI IN ACCORDANCE TO THE UNIFORM PLUMBING CODE.

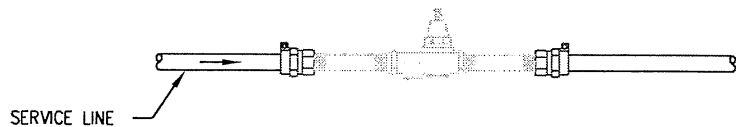
## SUPPLIERS

HD FOWLER CO, INC.  
13440 S.E. 30th  
BELLEVUE, WA  
746-8400

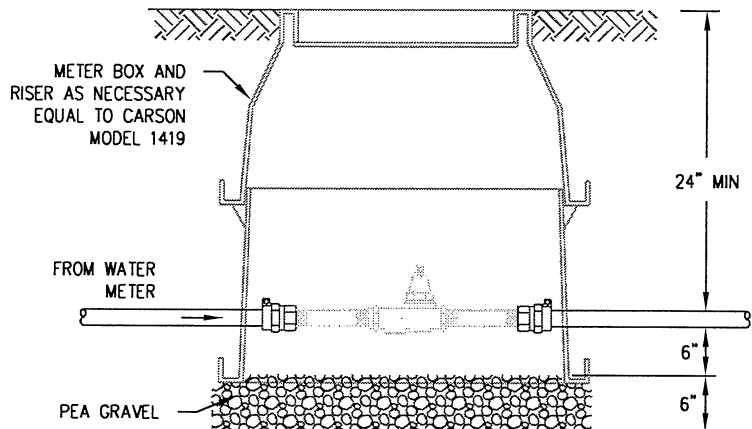
KELLER SUPPLY CO.  
18315 N.E. 76th  
REDMOND, WA  
885-9508

FAMILIAN NORTHWEST INC.  
1700 132nd N.E.  
BELLEVUE, WA  
641-5700

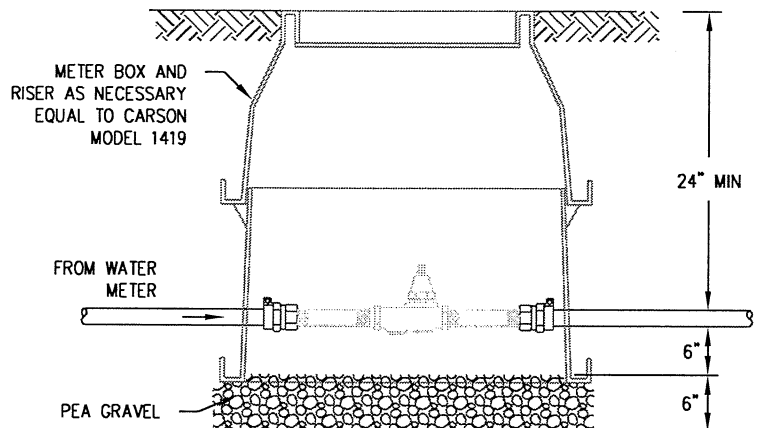
ROSEN SUPPLY CO INC.  
2920 S CHANDLER  
TACOMA, WA  
628-8826



### INSIDE HOUSE



### OUTSIDE FOUNDATION



### ADJACENT TO WATER METER

## SERVICE PRESSURE REDUCER

# WATER STANDARD DETAIL

## SNOQUALMIE PASS UTILITY DISTRICT

FILE	SCALE	DATE
SPUDTW16	NTS	7/22/04