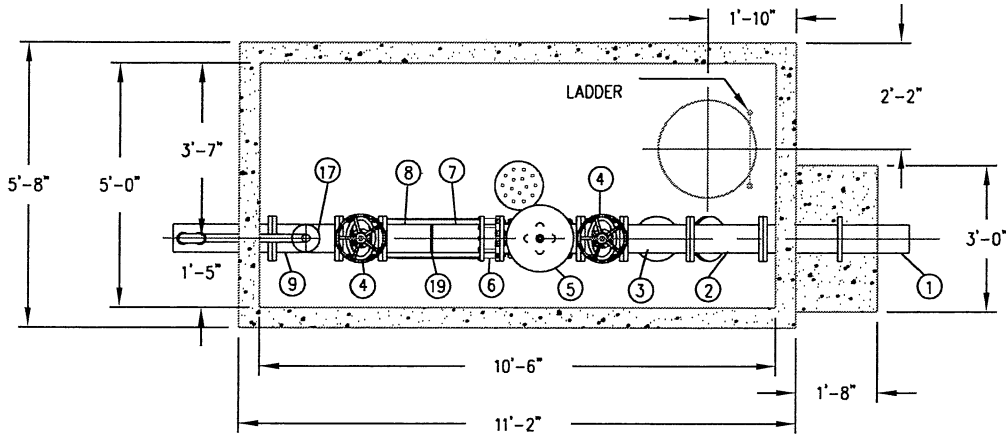
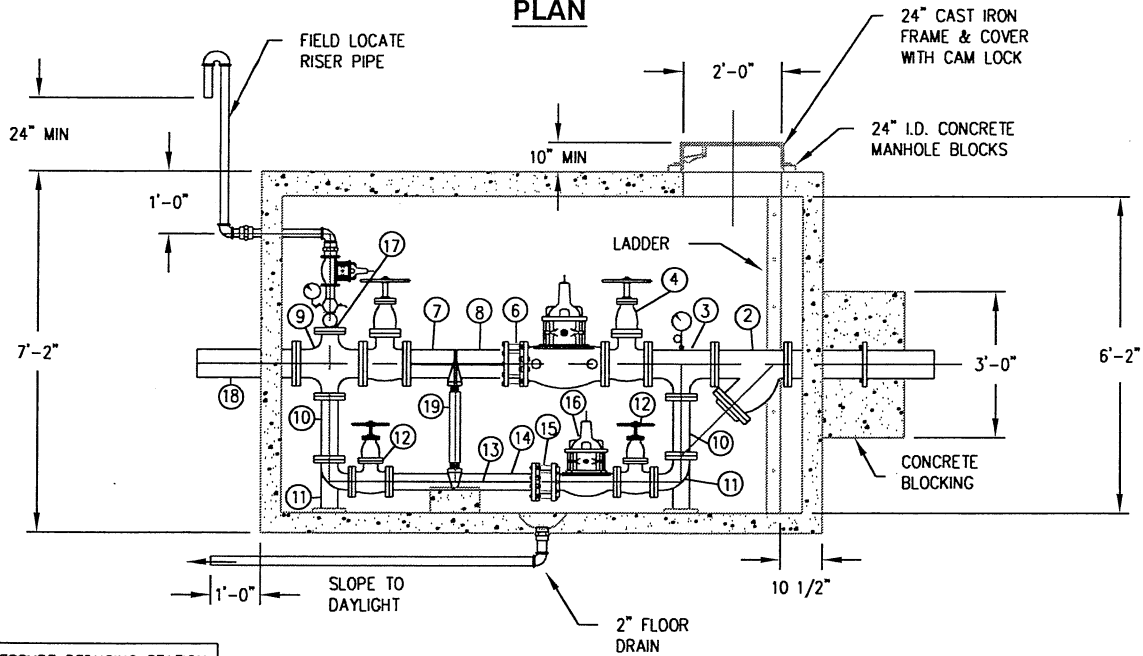


TYPE ARRANGEMENT



PLAN



ELEVATION

NOTE: SEE "PRESSURE REDUCING STATION NOTES" SHEET FOR FITTING NOTES

PRESSURE REDUCING STATION

WATER STANDARD DETAIL

SNOQUALMIE PASS
UTILITY DISTRICT

FILE	SCALE	DATE
SPUDTW15	NTS	7/22/04

PRE-CAST CONCRETE UNDERGROUND VAULT EQUAL TO UTILITY VAULT COMPANY VAULT AS SHOWN

BASE SECTION 5106-BL WITH 2 INCH FLOOR DRAIN EQUAL TO OLYMPIC FOUNDRY NO. 3206 CAST IN SUMP WITH 2 INCH CAST IRON PIPE EXTENDING OUT MINIMUM 12 INCHES BEYOND WALL IN DIRECTION REQUIRED.
 58 INCH SECTION 5106-ML.
 TOP SECTION 5106-T24E WITH 24 INCH DIAMETER STANDARD OPENING AS SHOWN.
 LADDER NO. 7 REBAR RUNGS, 5/16" X 1-3/4" FLAT BAR RISER, WITH PROVISIONS TO ANCHOR AT TOP AND BOTTOM WITH 1/2 INCH ROUND CADMIUM PLATED BOLTS. LADDER ASSEMBLY, HOT DIP GALVANIZED AFTER FABRICATION, EQUAL TO UTILITY VAULT COMPANY STANDARD LADDER.

1-1/4" PRESSURE RELIEF ASSEMBLY

INSTALL CROSS FOR PRESSURE GAGE ASSEMBLY AND 3/4" HOSE BIB.
 INSTALL 1-1/4" PRESSURE RELIEF VALVE, SCREWED EQUAL TO CLA-VAL NO. 50G.
 1-1/4" GALV. IRON PIPE TO OUTSIDE OF CHAMBER.
 2" RISER WITH 2" OPEN PATTERN RETURN BEND WITH 2" GALV. IRON PIPE 6" LONG, P.E. X THREADED (SET BOTTOM OF PIPE MIN. OF 24" ABOVE FINISHED GRADE).
 INSTALL MIN. OF 1 UNION INSIDE OF CHAMBER.
 INSTALL 1-1/4" AND 2" GALV. IRON PIPE AND FITTINGS AS REQUIRED.

NOTE: LOCATION OF RISER SHALL BE DETERMINED IN FIELD BY THE ENGINEERS.

PRESSURE GAGE ASSEMBLY

INSTALL 1/4" TEE HAND COCK, MARSH TYPE 1900.
 INSTALL 1/4" PIG TAIL SIPHON, MARSH TYPE 38.
 ONE 4-1/2" PRESSURE GAGE, MARSH TYPE 1, 0 TO 300 PSI.
 ONE 4-1/2" PRESSURE GAGE, MARSH TYPE 1, 0 TO 100 PSI.
 INSTALL ADDITIONAL PIPE AND FITTINGS AS REQUIRED.

PAINTING SCHEDULE

CONCRETE EXTERIORS BELOW GRADE
 SURFACE SHALL BE CLEAN AND DRY. PAINT WITH TWO COATS OF TNE MEC PRIMER SERIES 46-465 COAL TAR SOLUTION (OR EQUAL) 8.0 TO 10.0 MILS DFT.

CONCRETE INTERIORS
 WALLS AND CEILINGS - TWO (2) COATS OF ICI DEVOE 4308-1000 WHITE
 FLOORS - NONE.

METAL (EXCEPT FACTORY FINISH PAINTED EQUIPMENT)
 ONE (1) SHOP COAT OF ICI DEVOE RUST BLOCK, 4100-7100 RED METAL PRIMER
 TWO (2) COATS ICI DEVOE GROTTO BLUE D-104

MATERIAL LIST

<u>ITEM</u>	<u>DESCRIPTION</u>
1.	6" WALL PIPE, FL. X P.E., 3'-0" LONG INTEGRALLY CAST COLLAR AT CENTER.
2.	6" SEDIMENT SEPARATOR, FL., EQUAL TO CRANE NO. 989-1/2 WITH 1-1/2" CORPORATION STOP AND 1-1/2" GALV. IRON PIPING TO FLOOR DRAIN.
3.	6" X 6" X 3" TEE, FL., WITH 1/4" TAP FOR PRESSURE GAGE ASSEMBLY.
4.	TWO 6" GATE VALVES, FL., OS & Y WITH HAND WHEEL EQUAL TO IOWA LIST 14.
5.	6" PRESSURE REDUCING VALVE, FL., EQUAL TO CLA-VAL NO. 90G-01AB
6.	6" FLEXIBLE FLANGED COUPLING ADAPTER, EQUAL TO SMITH-BLAIR NO. 912-3-396.
7.	6" PIPE, FL. X P.E., 20-1/2" ± LONG (LENGTH TO FIT).
8.	TWO TIE RODS, 3/4" DIA. (LENGTH TO FIT).
9.	6" X 6" X 3" X 3" CROSS, FL.
10.	TWO 3" PIPE, FL. X FL., 15" LONG.
11.	TWO 3" 90° BASE BENDS, FL.
12.	TWO 3" GATE VALVES, FL., OS & Y WITH HAND WHEEL EQUAL TO IOWA LIST 14.
13.	TWO TIE RODS 5/8" DIA. (LENGTH TO FIT).
14.	3" PIPE, FL. X P.E., 3' - 2-1/2" + LONG (LENGTH TO FIT).
15.	3" FLEXIBLE FLANGED COUPLING ADAPTER EQUAL TO SMITH-BLAIR NO. 912-3-396.
16.	3" PRESSURE REDUCING VALVE, FL., EQUAL TO CLA-VAL NO. 90G-01AJ
17.	3" BLIND FLANGE, WITH 1-1/4" TAP, INSTALL 1-1/4" CORPORATION STOP TO MOUNT 1-1/4" PRESSURE RELIEF ASSEMBLY.
18.	6" WALL PIPE, FL. X P.E., 24" LONG.
19.	6" PIPE STANCHION SADDLE EQUAL TO GRINNEL FIGURE 259 AND 3" ADJUSTABLE PIPE SADDLE SUPPORT EQUAL TO GRINNEL FIGURE 264, COMPLETE WITH 2-1/2" AND 3" PIPING AND 2-1/2" X 3" REDUCER.
ALL 3" AND LARGER PIPE AND FITTINGS TO BE CAST IRON.	

PRESSURE REDUCING STATION NOTES

WATER STANDARD DETAIL

**SNOQUALMIE PASS
 UTILITY DISTRICT**

FILE	SCALE	DATE
SPUDTW15	NTS	7/22/04