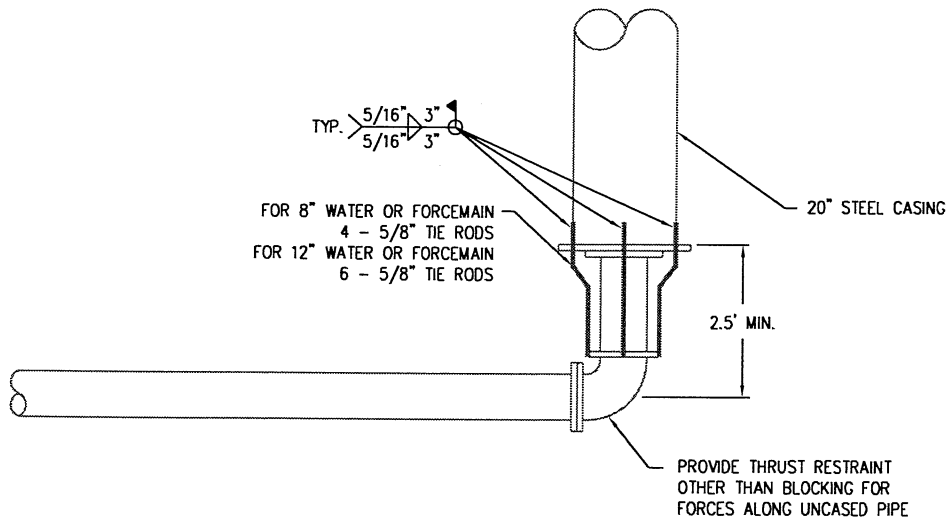


**BORE CASING
THRUST RESTRAINT-TEE**

NTS



**BORE CASING
THRUST RESTRAINT-90° BEND**

NTS

WATER STANDARD DETAIL
SNOQUALMIE PASS
UTILITY DISTRICT

FILE	SCALE	DATE
SPUDTW18	NTS	7/22/04