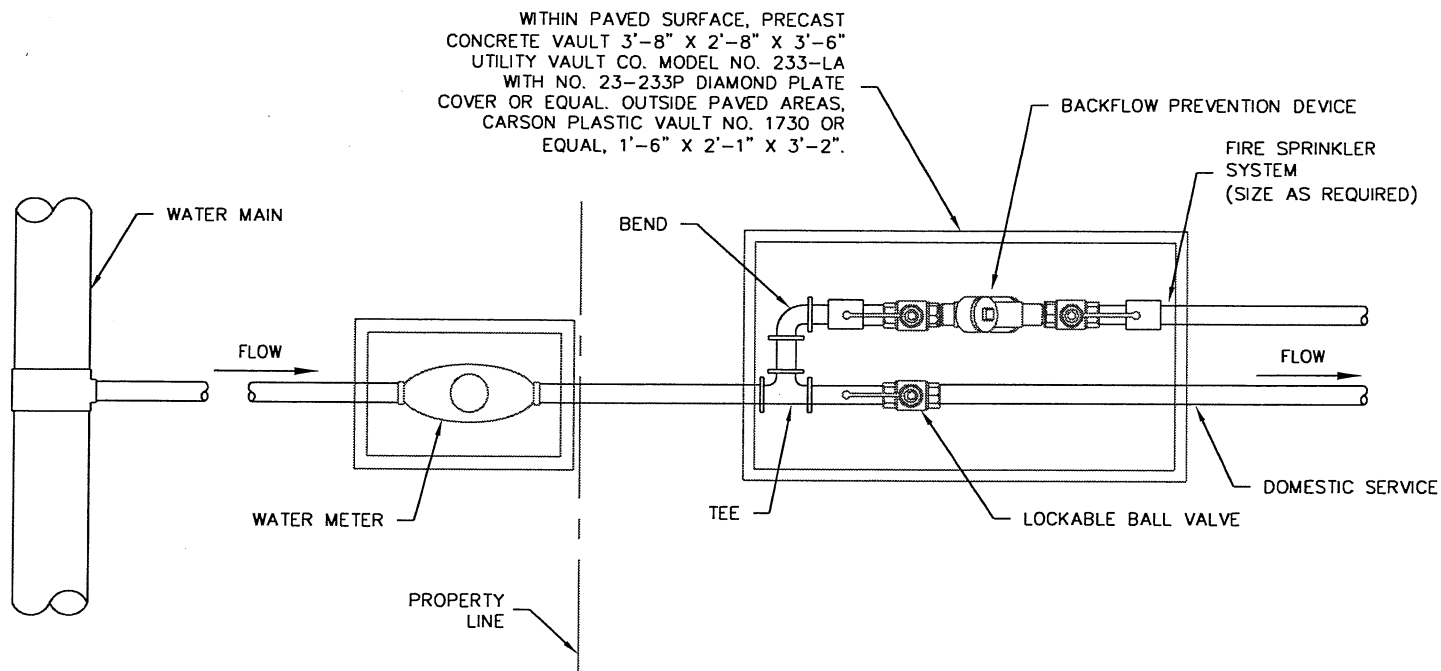


## PROFILE



## PLAN

# WATER STANDARD DETAIL

## SNOQUALMIE PASS UTILITY DISTRICT

FILE	SCALE	DATE
SPUDTW25	NTS	7/22/04