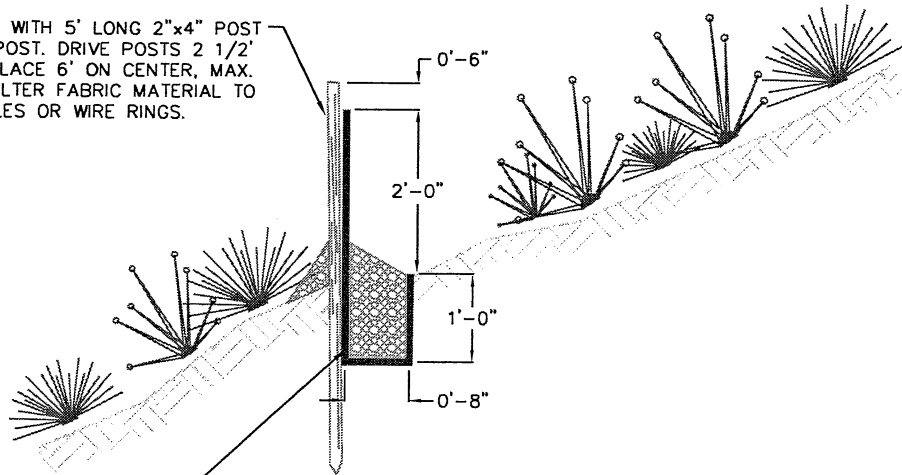


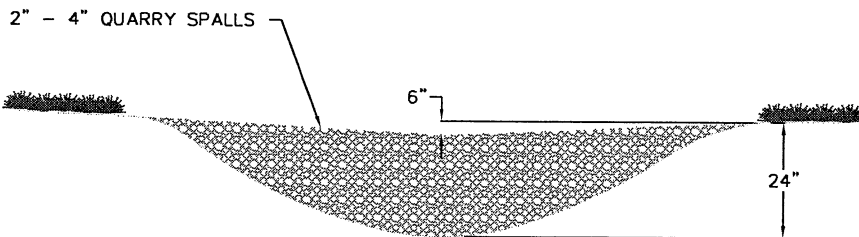
CONSTRUCT FENCE WITH 5' LONG 2"x4" POST OR STEEL FENCE POST. DRIVE POSTS 2 1/2' INTO GROUND & PLACE 6' ON CENTER, MAX. SECURE 5' WIDE FILTER FABRIC MATERIAL TO POSTS WITH STAPLES OR WIRE RINGS.



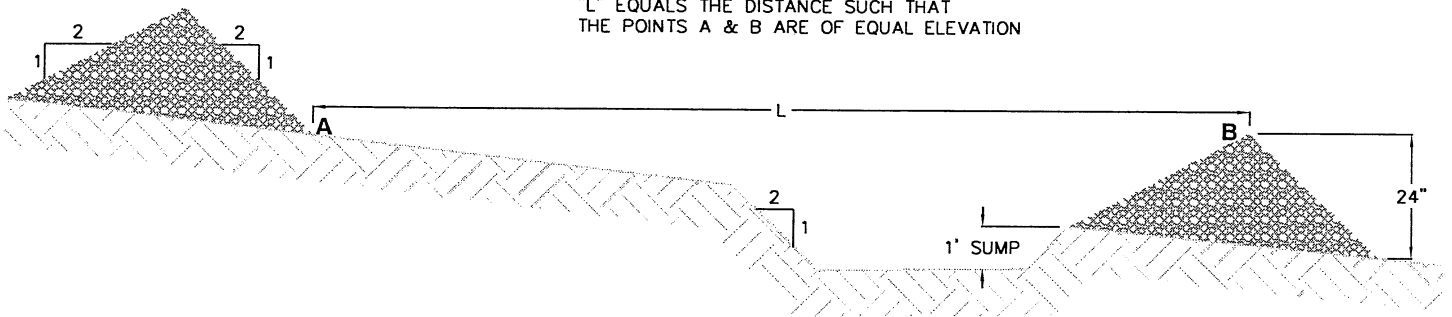
PROVIDE A 12" DEEP x 8" WIDE FABRIC LINED TROUGH, BACKFILL WITH 3/4"-1 1/2" WASHED GRAVEL. PLACE WASHED GRAVEL ON SURFACE AGAINST BOTH SIDES OF FENCE.

EROSION CONTROL FENCING

NTS



"L" EQUALS THE DISTANCE SUCH THAT THE POINTS A & B ARE OF EQUAL ELEVATION



ROCK CHECK DAM

NTS

WATER STANDARD DETAIL

SNOQUALMIE PASS
UTILITY DISTRICT

FILE	SCALE	DATE
SPUDTW17	NTS	7/22/04