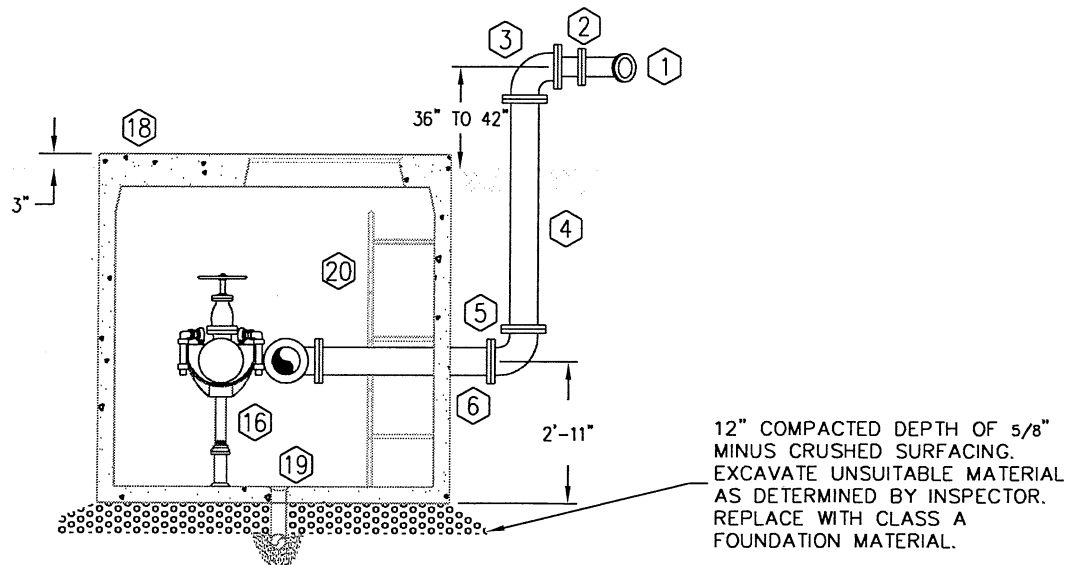


PLAN



ELEVATION

FIRE SERVICE DETAIL WITH FIRE DEPARTMENT CONNECTION

WATER STANDARD DETAIL

**SNOQUALMIE PASS
UTILITY DISTRICT**

FILE	SCALE	DATE
SPUDTW26	NTS	7/22/04

		LEGEND
<ol style="list-style-type: none"> 1. 4"x2 1/2" FIRE DEPARTMENT DOUBLE CONNECTION FOR STAND PIPE WITH BREAKABLE CAST IRON HOSE CAPS. 2. 4" ADAPTER (FLxSCREWED) 3. 4" OR 6" 90° BEND (FL) 4. 4" OR 6" PIPE (FLxFL), LENGTH TO FIT 5. 4" OR 6" 90° BEND (FL) 6. 4" OR 6" PIPE (FLxFL), 3'-0" LONG 7. 4" OR 6" 90° BEND (FL) 8. 4" OR 6" SWING TYPE GRAVITY OPERATED CHECK VALVE(FL) 9. 4" OR 6" PIPE (FLxFL), 3'-8" LONG 10. 4" ASSEMBLY: 4" SHORT RADIUS 90° BEND (FL), 6" AND 8" ASSEMBLY: 6" SHORT RADIUS 90° BEND (FL), 10" ASSEMBLY: 8"x6" REDUCING 90° BEND (FL) 11. 4" ASSEMBLY, 4" TEE (FL) 6" ASSEMBLY, 6" TEE (FL) 8" ASSEMBLY, 8"x8"x6" TEE (FL) 10" ASSEMBLY, 10"x10"x8" TEE (FL) 12. 4", 6", 8", OR 10" RESILIENT WEDGE GATE VALVE (FLxMJ) WITH INDICATOR POST. INDICATOR POST VALVE SAME SIZE AS DOUBLE CHECK VALVE. 13. 4", 6", 8", OR 10" DI CLASS 52 NIPPLE PIPE, CEMENT LINED, LENGTH TO FIT, WITH TIE RODS PER DISTRICT STANDARD. 14. 4", 6", 8", OR 10" FLANGED COUPLING ADAPTER 	<ol style="list-style-type: none"> 15. DETECTOR DOUBLE CHECK VALVE ASSEMBLY. EACH ASSEMBLY SHALL INCLUDE TWO RESILIENT WEDGE GATE VALVES AND TEST COCKS, BY-PASS ASSEMBLY, AND BE APPROVED CROSS-CONNECTION CONTROL ASSEMBLIES PER THE LATEST D.O.H. APPROVED LIST. 16. ADJUSTABLE PIPE SUPPORT UNDER CHECK VALVES EQUAL TO STANDON MOD. #S92 (THREE REQUIRED). 17. 4", 6", 8", OR 10" (FLxPE) PIPE WITH COLLAR 18" FROM PE: 4" - 5'-6" LONG 6" - 4'-6" LONG 8" - 3'-6" LONG 10" - 3'-0" LONG 18. PRECAST CONCRETE VAULT WITH LOCKING STEEL COVERS. COVER EQUAL TO LW PRODUCTS COMPANY TYPE "HD." VAULT EQUAL TO UTILITY VAULT CO. #612-LA. 19. 6" MIN. DRAIN WITH SCREEN TO DAYLIGHT OR STORM DRAIN SYSTEM. PROVIDE RODENT PROOF SCREEN AT DAYLIGHT. 20. FREE STANDING GALVANIZED STEEL LADDER ATTACH TO FLOOR AND VAULT WALL. 21. 4", 6", 8", OR 10" FLANGED COUPLING ADAPTER 	

PAINTING SCHEDULE

CONCRETE EXTERIORS BELOW GRADE
SURFACE SHALL BE CLEAN AND DRY. PAINT WITH TWO COATS OF TNEMEC PRIMER SERIES 46-465 COAL TAR SOLUTION (OR EQUAL) 8.0 TO 10.0 MILS DFT.

CONCRETE INTERIORS
WALLS AND CEILINGS - TWO (2) COATS OF ICI DEVOE 4308-1000 WHITE
FLOORS - NONE.

METAL (EXCEPT FACTORY FINISH PAINTED EQUIPMENT)
ONE (1) SHOP COAT OF ICI DEVOE RUST BLOCK, 4100-7100 RED METAL PRIMER
TWO (2) COATS ICI DEVOE GROTTO BLUE D-104

FIRE SERVICE DETAIL WITH FIRE DEPARTMENT CONNECTION NOTES

WATER STANDARD DETAIL

**SNOQUALMIE PASS
UTILITY DISTRICT**

FILE	SCALE	DATE
SPUDTW26	NTS	7/22/04