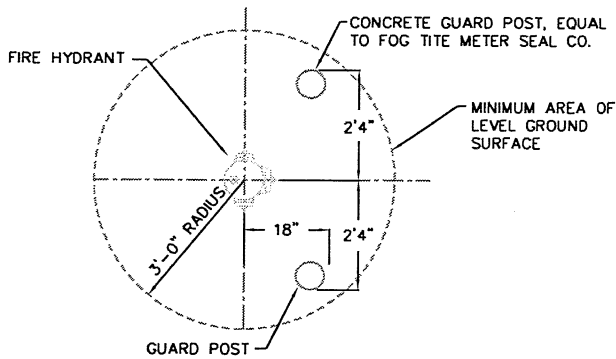
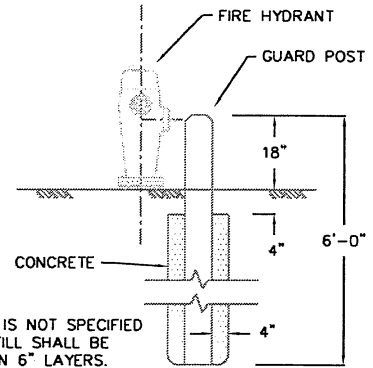


TYPICAL FIRE HYDRANT LOCATION

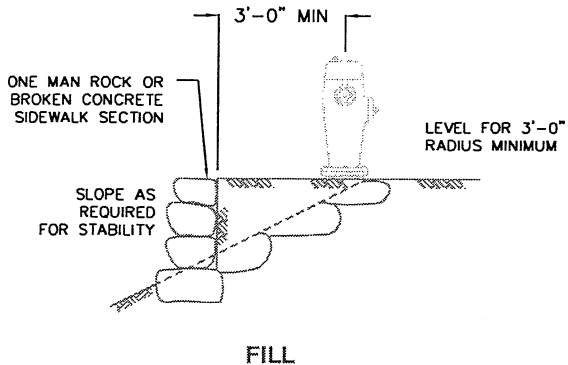


PLAN

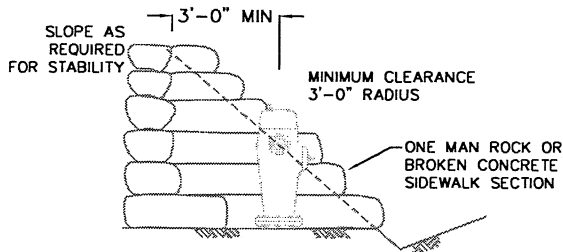


ELEVATION

FIRE HYDRANT GUARD POSTS



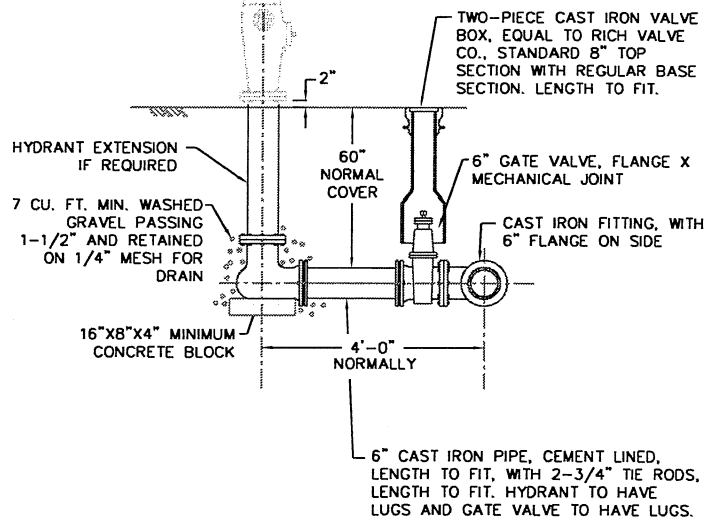
FILL



CUT

NOTE:
FIRE DISTRICT #51 -
NATIONAL STANDARD THREAD

COMPRESSION TYPE FIRE HYDRANT WITH ONE 4" PUMPER CONNECTION, 5" STORZ ADAPTER, TWO 2-1/2" HOSE CONNECTIONS, 5-1/4" MAIN VALVE OPENING, 6" MECHANICAL JOINT INLET, 1-1/4" PENTAGON OPERATING NUT. FIRE HYDRANT TO BE PAINTED TO MATCH EXISTING FIRE HYDRANTS: **BODY** - ICI, DEVGUARD INDUSTRIAL ALKYD ENAMEL 4308-6650 MEDIUM GREEN, **TOP & BOLLARDS** - ICI, DEVOE 4308-1000 WHITE



FIRE HYDRANT LOCATION IN CUT OR FILL

FIRE HYDRANT ASSEMBLY

WATER STANDARD DETAIL

SNOQUALMIE PASS
UTILITY DISTRICT

FILE	SCALE	DATE
SPUDTW1	NTS	7/22/04