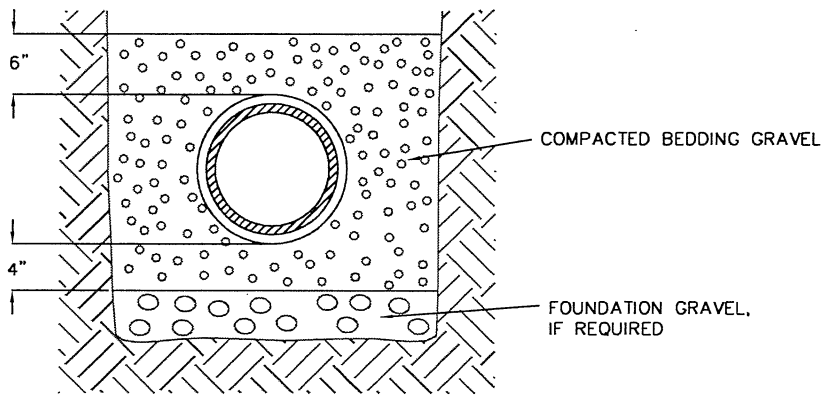
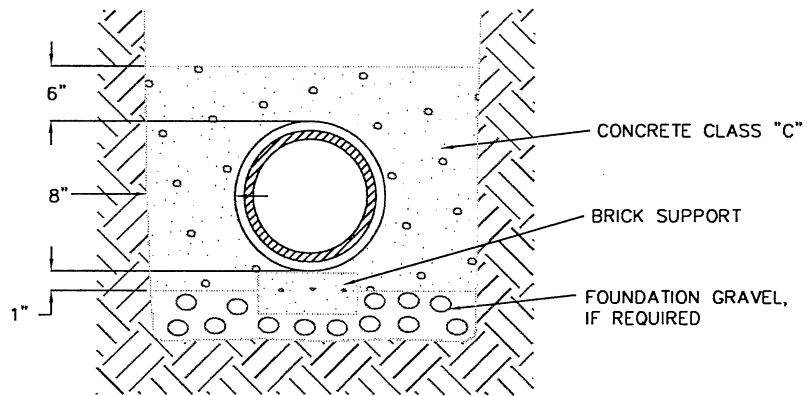


RIGID PIPE BEDDING



FLEXIBLE PIPE BEDDING



CONCRETE ENCASEMENT

# SEWER STANDARD DETAIL

SNOQUALMIE PASS  
UTILITY DISTRICT

FILE	SCALE	DATE
SPUDTS20	NTS	7/22/04